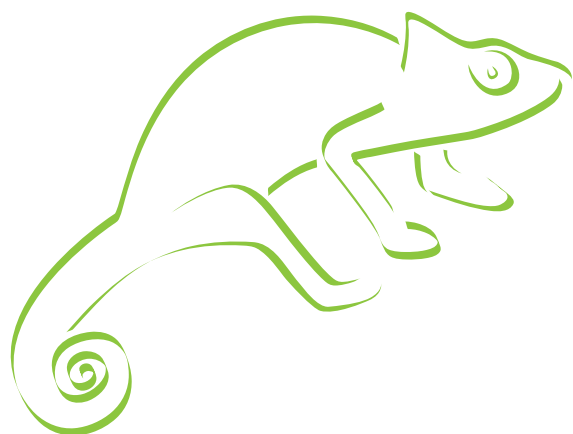




- *Box based add-on damping solution*
- *Compatible with Optima Click and MS Slide-On hinge series*
- *Rapid click-on fixing*
- *No protrusion solution*

# *SlowMotion Alfa*



**SlowMotion Alfa** is an easy to use hinge box based add-on damper available for Optima Click and MS Slide-On hinges. It is very easy to fix with a click and covers all hinge versions of the range. (For the 175° hinges, see the SlowMotion Delta solution). Damping is realised by an hydraulic piston sliding in the damper housing. It is a simple and efficient solution to confer quality in showroom and at home.

It is quick to fix in the production line and a perfect retro-fit solution in flat pack and DIY environment.



*Alfa Video*

# SlowMotion Alfa



## Technical specifications:

- SlowMotion Alfa device for controlled closing door system
- Add-on application for Optima Click and MS Slide-On hinge series with crank 0/8/15 and angles
- Easy assembling with a clip, no tools required
- Damper strength adjustable to control different door sizes and heights
- With standard door only one SlowMotion Alfa device required

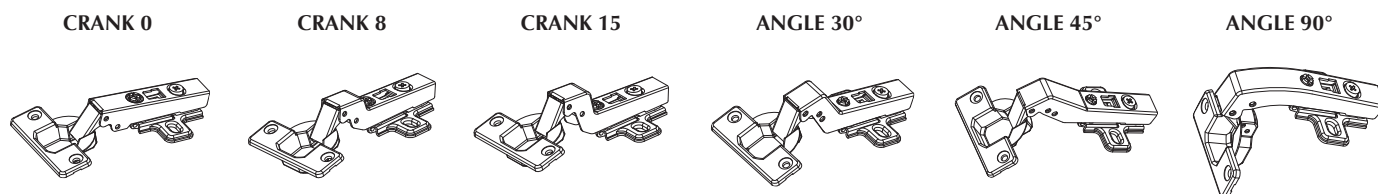
## SLOWMOTION ALFA DAMPER



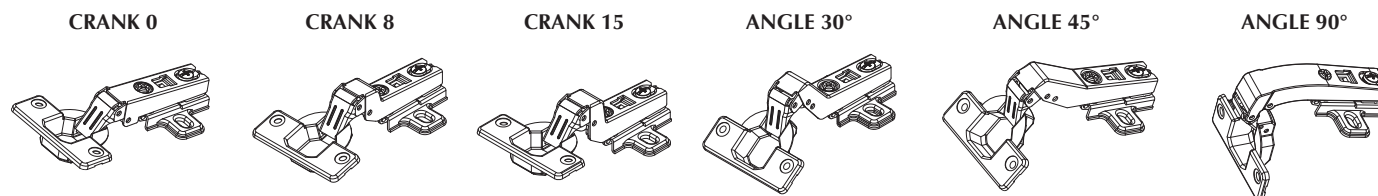
Code	Description	Packing
59.0620.05.000A000	SlowMotion Alfa	125 pieces

## Application with:

### OPTIMA CLICK



### MS SLIDE-ON



To allow the ALFA device assembling, the hinge box needs to be adapted. The codes of the related compatible hinges is identified with the letter "A" in 12th position. (Example: 51XSH505000A000)

ALFA device not compatible with Centra fixing system and with aluminium profiles solutions.

**Ideal assembly:**

The SlowMotion Alfa damper must be preferably fitted on the bottom hinge.

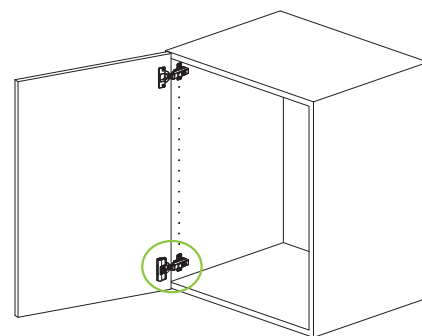
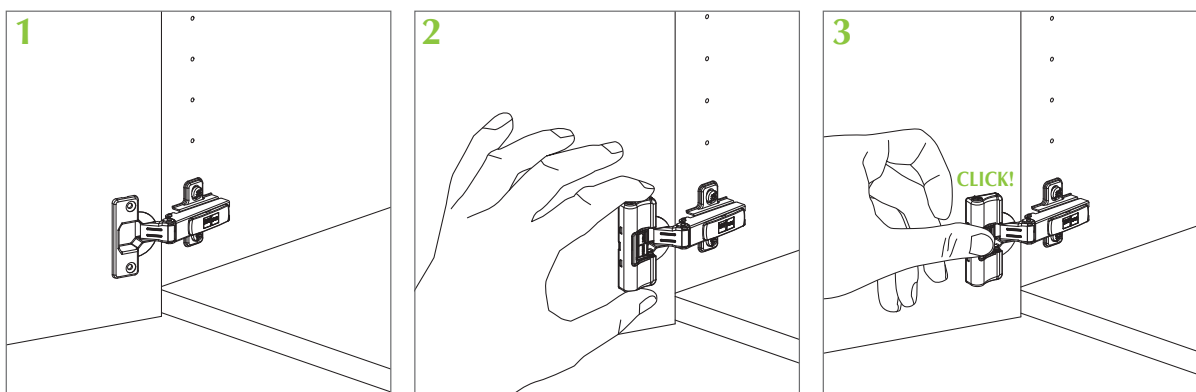
**Assembly:****Alfa Video**

Table to determinate the number of the add-on needed according to the dimension and the weight of the door.

Door dimensions			Door weight	Number of hinges	
Width	Height	Thickness		SlowMotion Alfa	Standard
450	600	18	3.0 kg	1	1
350	700	18	3.1 kg	1	1
400	700	18	3.6 kg	1	1
450	700	18	4.1 kg	1	1
500	700	18	4.5 kg	1	1
600	700	18	5.4 kg	1	1
400	1200	18	6.2 kg	1-2	1-2
450	1200	18	7.2 kg	1-2	1-2
500	1200	18	7.8 kg	1-2	1-2
600	1200	18	9.3 kg	2	1
400	2100	18	10.9 kg	2	2
450	2100	18	12.3 kg	2	2